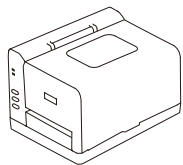


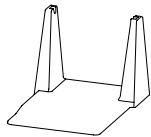
Compact Barcode Printer Quick Start Guide

POSTEK

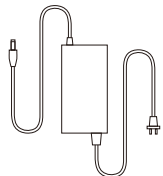
Packing List



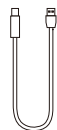
Printer × 1



External Media
Stand × 1



Power Adapter × 1



Interface Cable × 1



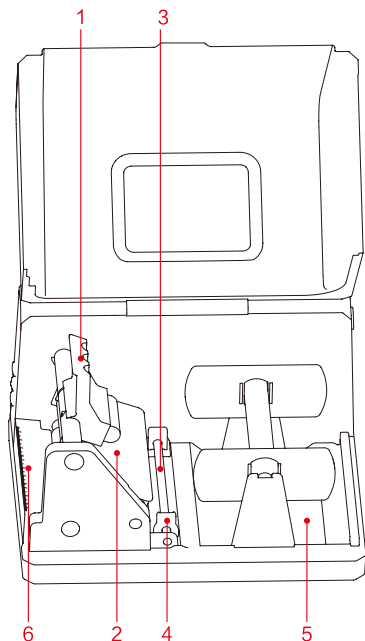
Media Core
Adaptor × 2



Media Spindle
× 1



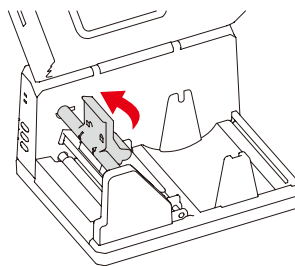
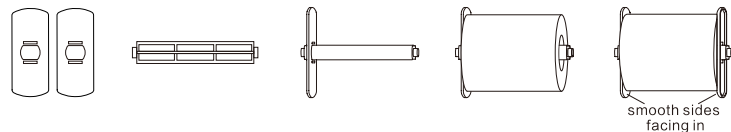
Media Roll
Guide × 2



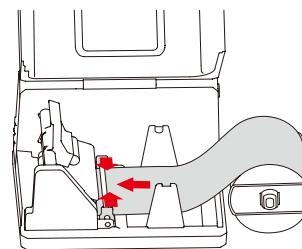
- 1 Handle
- 2 Printhead Assembly
- 3 Media Guide Rod
- 4 Media Guide
- 5 Media Compartment
- 6 Tear-off Bar

Loading the Media

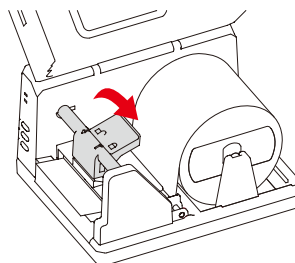
Please load the media by following the steps shown below:



01/ Lift the Handle to release the Printhead Assembly.

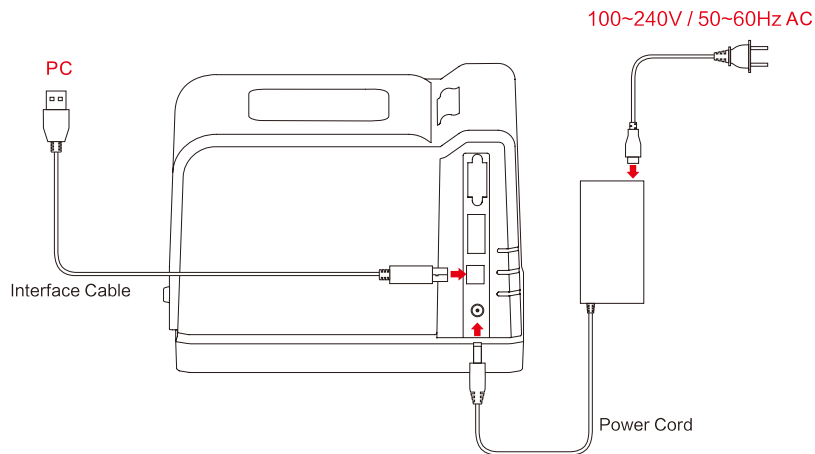


02/ Lead the media through the bottom of the Media Guide Rod, slide the Media Guide close to the edge of the media, making sure that the media remains flat and is put in the middle of the Tear-off Bar.

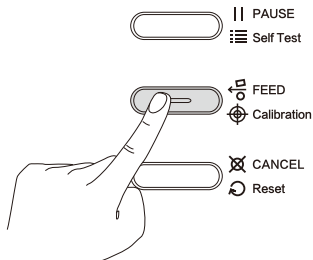


03/ Place the media roll onto the Media Compartment. Press the Handle downward until the Printhead Assembly is locked in place.

Connect the Printer to PC



Media Calibration



Turn on the printer, press and hold the "FEED" button for 2 seconds. Then the printer will automatically feed 3-4 labels (approx. 200 mm in length), and the media calibration is done. The printer is ready to print.

Troubleshooting

- 1. Printer is on; however, the indicator lights are off.**
Confirm the power adapter's light is on. If the indicator light is not on, this indicates a faulty power adapter.
- 2. The label software cannot work after installation.**
Ensure the iQ printer Windows driver is installed correctly.
- 3. Error message "Error Can Not Print" appears.**
Check for proper connection of the interface cable, and if more than one Postek printer driver is installed on your computer, make sure the iQ printer is selected in the label software.
- 4. There is no printout on the media after printing.**
 - a. Make sure that labels are formatted correctly;
 - b. Check whether the power adapter is the original one.
- 5. Upon Clicking the Print command, READY and Media indicator lamps blink.**
Confirm the media sensor is properly positioned and perform a media calibration (see "MEDIA CALIBRATION").

Declaration

Postek Electronics Co., Ltd.

WWW.POSTEKCHINA.COM is the official website of Postek Electronics Co., Ltd. Additional product and Service information are available on WWW.POSTEKCHINA.COM

Trademarks **POSTEK** and **POSTEK**, and the copyright of this material belong to Postek Electronics Co., Ltd. They are protected under the law of People's Republic of China.